

HA Cam Holder XXL 86 - 110"

Item no.: 2930

Camera Holder

HA Cam Holder XXL 86 - 110" is a universal camera holder.

The camera holder is suitable for screens with a screen size from 86 - 110" | 218 - 279 cm.

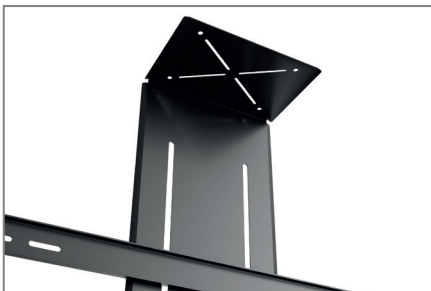
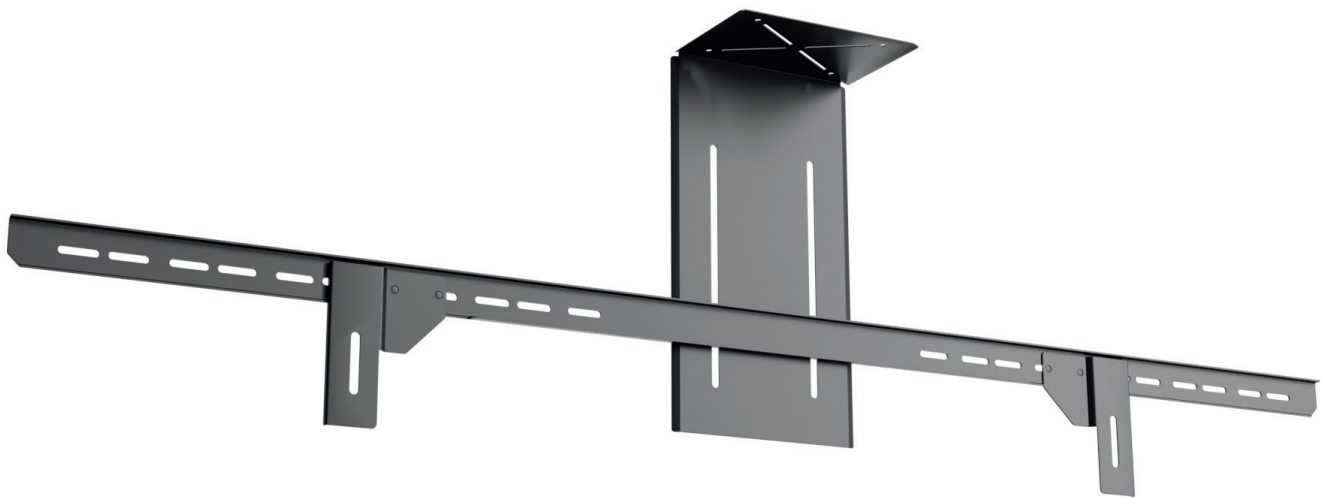
The camera holder is mounted on the TV bracket. The VESA standard is covered from min. 600 mm to max. 1500 mm.

Thanks to the slotted holes, the holder is height adjustable and can be adapted exactly to the screen.

The camera mounting plate also has slotted holes and can thus be easily adapted to different camera models.

The maximum load capacity is 10 kg.

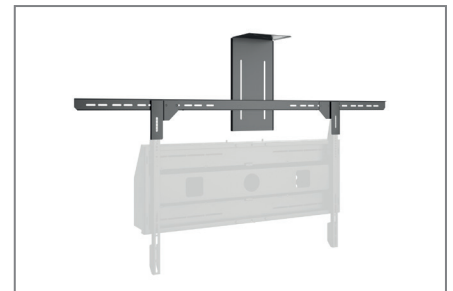
The surface is finished with a solvent free, impact and scratch resistant powder coating in black.



Flexibly adjustable thanks to slotted holes



easy installation on the TV bracket



Suitable for VESA min. 600 to max. 1500 mm

HA Cam Holder XXL 86 - 110"

Camera Holder

Item no.: 2930

- Universal camera mount
- Suitable for screens from 86 - 110" | 218 - 279 cm
- VESA min. 600 - VESA max. 1500 mm
- Height adjustable thanks to slotted holes
- Camera mount with slotted holes - can be adapted to different camera types
- Mounting takes place on the TV bracket
- 10 kg max. load capacity
- Solvent free, impact and scratch resistant powder coating
- Colour: black
- Suitable for landscape format only

